



GOST - R

SPECIAL FEATURES

- SINGLE PIECE CONSTRUCTION
- DRY OR LIQUID FILLED
- COST EFFECTIVE
- STANDARD FOLLOWED IN GENERAL EN 837-1

APPLICATIONS

PNEUMATICS, HYDRAULICS, PUMPS, COMPRESSORS, DIESEL ENGINES AND GASEOUS / LIQUID MEDIA THAT WILL NOT OBSTRUCT THE PRESSURE SYSTEM.

SPECIFICATIONS

STANDARD VERSION : 100 mm & 150 mm

Accuracy	: ±1.6% of F. S.
Ambient temperature	: - 20°C to + 65°C
Process temperature	: Max. 150°C
Operating Pressure Range	: 75% of Scale Value
Over pressure limit	: ≤ 100 bar : 125% of Max. Scale Value : > 100 to ≤ 600 bar : 115% of Max. Scale Value

Case & Bezel	: AISI 304 SS (Bayonet Type)
Bourdon	: Copper Alloy up to 70 kg/cm ² : AISI 316L SS for 100 kg/cm ² & above
Socket	: Copper Alloy
Movement	: Copper Alloy
Joints	: Alloy Brazing / Soldering

Protection	: IP 65
Dial	: Aluminum, black graduation on white background
Pointer	: Aluminum, black coloured Fixed
Window	: Plexi Glass
Filling Plug	: Neoprene
Gasket	: Neoprene
Blow off Disc	: Neoprene

DRY BUT FILLABLE VERSION (OPTION FG)

Fillable Dampening Liquid	: Glycerine 99.7%
Ambient Temperature	: Maximum 65°C
Process Temperature	: Maximum 65°C
Other Features	: Refer Specification of Standard Version

GLYCERINE FILLED VERSION (OPTION PY)

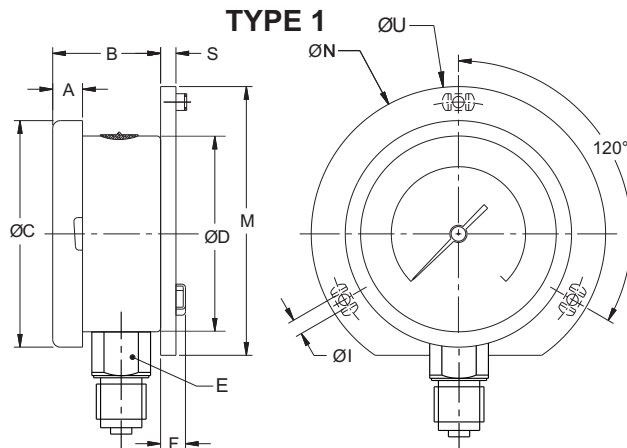
Accuracy	: ±1.6% of F. S.
Ambient Temperature	: Maximum 65°C
Process Temperature	: Maximum 65°C
Window	: Plexi Glass
Dampening Liquids	: Glycerine 99.7% (others available as option)
Other Features	: Refer Specification of Standard Version

Temperature effect:

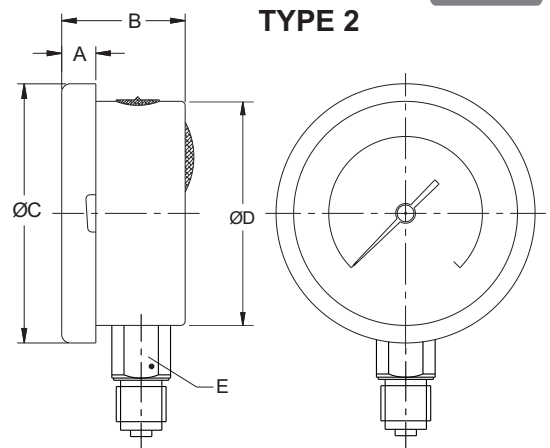
The variation of indication caused by effects of temperature is to be calculated by below formula; which is to be added in the specified accuracy while measurement :- Formula : $\pm 0.04 \times (t_2 - t_1) \%$ of F. S. where t_1 = reference temperature (+20°C) and t_2 = ambient temperature in °C.



DIMENSIONS - STANDARD VERSION



TYPE 1



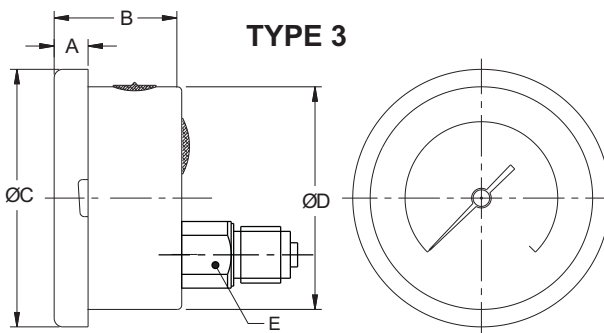
TYPE 2

BAYONET TYPE

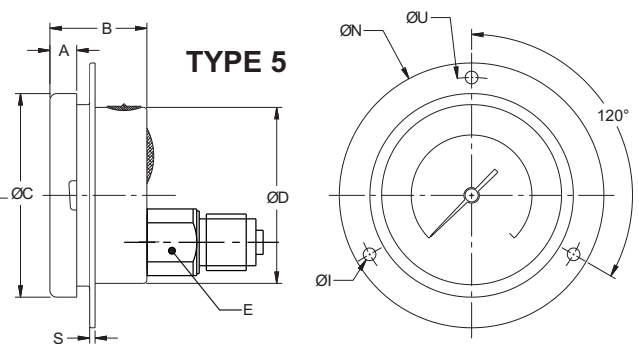
NS	A	B	ØC	ØD	E	M	S	F	ØI	ØN	ØU	Weight in gram (With Box)
100	12.5	45	111	100	22	128	6	14.5	6	134	118	700.0
150	15	46.5	161	149	22	174.5	6	14.5	6	186	168	1140.0

BAYONET TYPE

NS	A	B	ØC	ØD	E	Weight in gram (With Box)
100	12.5	47	111	100	22	620.0
150	15	49	161	149	22	980.0



TYPE 3



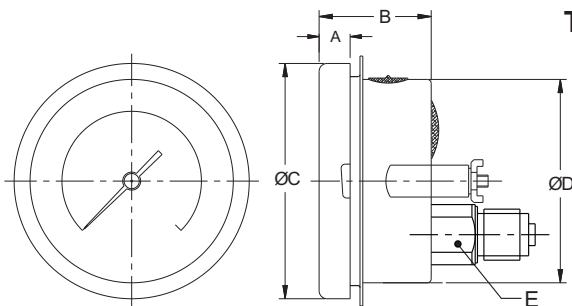
TYPE 5

BAYONET TYPE

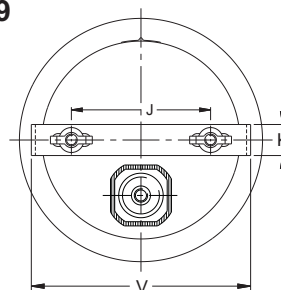
NS	A	B	ØC	ØD	E	Weight in gram (With Box)
100	12.5	47	111	100	22	625.0
150	15	49	161	149	22	970.0

BAYONET TYPE

NS	A	B	ØC	ØD	E	S	ØI	ØN	ØU	Weight in gram (With Box)
100	12.5	47	111	100	22	1	6	134	118	710.0
150	15	49	161	149	22	1	6	186	168	1160.0



TYPE 9



BAYONET TYPE

NS	A	B	ØC	ØD	E	J	K	V	Weight in gram (With Box)
100	12.5	47	111	100	22	71	16	108	750.0
150	15	49	161	149	22	106.5	16	166	1220.0

RANGE TABLE

Note : Waaree offers National / International Scales like kPa, MPa, bar, psi, kg/cm² & Dual Scale like kPa with psi, kPa with bar, bar with psi or Equivalent scales as per the requirement can be provided on request.

Following are the example tables for kg/cm² & psi scales

PRESSURE RANGE

SINGLE SCALE (kg/cm ²)					
0/1	0/4	0/16	0/60	0/250	
0/1.6	0/6	0/25	0/100	0/400	
0/2.5	0/10	0/40	0/160		
DUAL SCALE psi with kg/cm ²					
psi	kg/cm ²	psi	kg/cm ²	psi	kg/cm ²
0/15	1	0/300	20	0/2200	160
0/30	2	0/400	28	0/3000	200
0/60	4	0/500	35	0/4000	280
0/100	7	0/600	42	0/5000	350
0/150	10	0/1000	70	0/6000	400
0/220	16	0/1500	100		

VACUUM & COMPOUND RANGE

DUAL SCALE			
inHg with psi	inHg with psi	inHg with psi	
- 30/0	- 30/60	- 30/200	
- 30/15	- 30/100	- 30/300	
- 30/30	- 30/150	- 30/350	
SINGLE SCALE (kg/cm ²)			
- 1/0	- 1/1.5	- 1/5	- 1/15
- 1/0.6	- 1/3	- 1/9	- 1/24

FREON (WITH TEMPERATURE SCALE)

Note : For temperature scales, please provide refrigerant name.

DUAL SCALE (Inch Hg to psi)	
RANGE	RANGE
-30/150	0-300
-30/300	0-500

ACCESSORIES (Refer Datasheet for complete specifications)

EB COOLING TOWER	* NEEDLE VALVE
EC GAUGE COCK	EG SNUBBER
ED OVERLOAD PROTECTOR (GAUGE SAVER)**	EH SIPHON

* Refer catalogue for valves and manifolds

** For Pressure Ranges.

HOW TO ORDER**BASIC MODEL****CODE****NOMINAL SIZE**

F **H**

TYPE OF MOUNTING

100 mm 150 mm

1 WALL / SURFACE / PROJECTION
MOUNTING WITH BOTTOM ENTRY

3 DIRECT LOWER BACK ENTRY

2 DIRECT BOTTOM ENTRY

5 LOWER BACK ENTRY WITH FRONT FLANGE

9 LOWER BACK ENTRY WITH MOUNTING BRACKET

GAUGE CONNECTION

3BM 3/8" BSP (M) STANDARD

2NM 1/4 " NPT (M)

4TM 1/2" BSPT (M)

4BM 1/2" BSP (M) STANDARD

4NM 1/2" NPT (M) STANDARD

4MM M 20 x 1.5 (M)

Note : Connections like Metric/ PT/ PF/ Flaired/ UNF/ G/ R etc can be provided on request.

RANGE

REFER RANGE TABLE

OPTIONAL EXTRAS

PW FIVE POINT CALIBRATION CERTIFICATE

FG FILLABLE LIQUID GLYCERINE

RH CUSTOM DESIGNED DIAL

SK MICROMETER '0' ADJUSTMENT POINTER

SG OXYGEN SERVICE (FOR DRY VERSION)

ZC FREON RANGE (WITH TEMPERATURE SCALE)

SX SS TAG PLATE

SL ZERO ADJUSTABLE POINTER

PY DAMPENING LIQUID GLYCERINE FILLED

FK INTEGRAL DAMPENING SCREW (BRASS)

TB HELIUM LEAK TEST

SW DIAL TAG MARKING

Ordering Example: **AG - X - X - XXX - 0/10 kg/cm² - XX**

FOR OTHER OPTIONAL ITEMS, PLEASE CONTACT FACTORY FOR DELIVERY AND MINIMUM QUANTITY OF ORDER.

Note : Specifications and dimensions given in this product catalogue represents the state of engineering at the time of printing.

Modifications may take place and materials specified may be replaced by others without prior notice.

Example

AG

X

X

XXX

**0/10
kg/cm²**

XX